

## C13



## Technical Information



### Cable Size

- 3C x 0.75mm
- 2 3C x 1.00mm
- 2 3C x 1.25mm
- 2 3C x 1.50mm
- 2 Max 3C x 14-18awg

### Rating

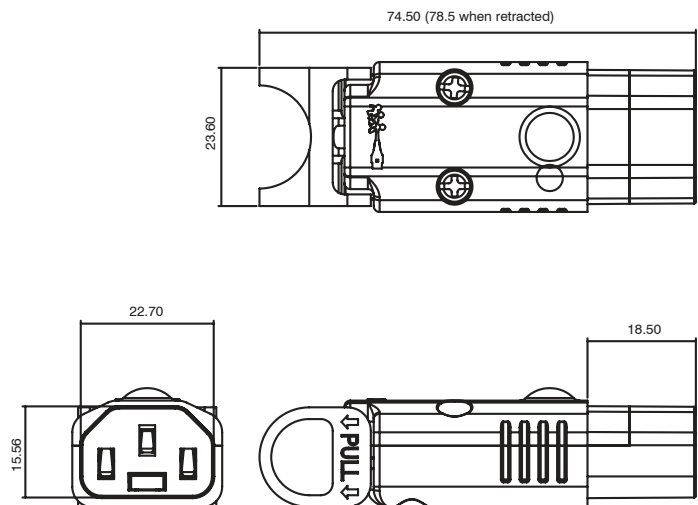
- 10A Max / 250V~ (Europe)
- 15A Max / 250V~ (USA)

### Test Information

- Test Body: KEMA, UL,
- Test Standard: KEMA-KEUR:
- Certified: EN 60320-1:2001 + A1:2007
- UL 60320-1 / CSA C22.2 No. 60320-1

### Patent Information

EU Patent No. EP14594121



visit: [www.ieclock.com](http://www.ieclock.com)  
call: +44 (0)1827 63454  
email: [oemsales@scolmore.com](mailto:oemsales@scolmore.com)

**ConMec**

Tlf; 21 08 80 00  
[post@conmec.no](mailto:post@conmec.no)  
[www.conmec.no](http://www.conmec.no)